

Product Data Sheet

PWB-BC3G-26-RSMAP

2G/3G/4G
Terminal Antenna



C/Note	Doc Issue	Date	Approval
01019	1	22.04.15	J.J.



PWB-BC3G-26-RSMAP

7 bands - 700MHz LTE, Quadband cellular, 3G UMTS / AWS, LTE / WIMAX 2.6GHz

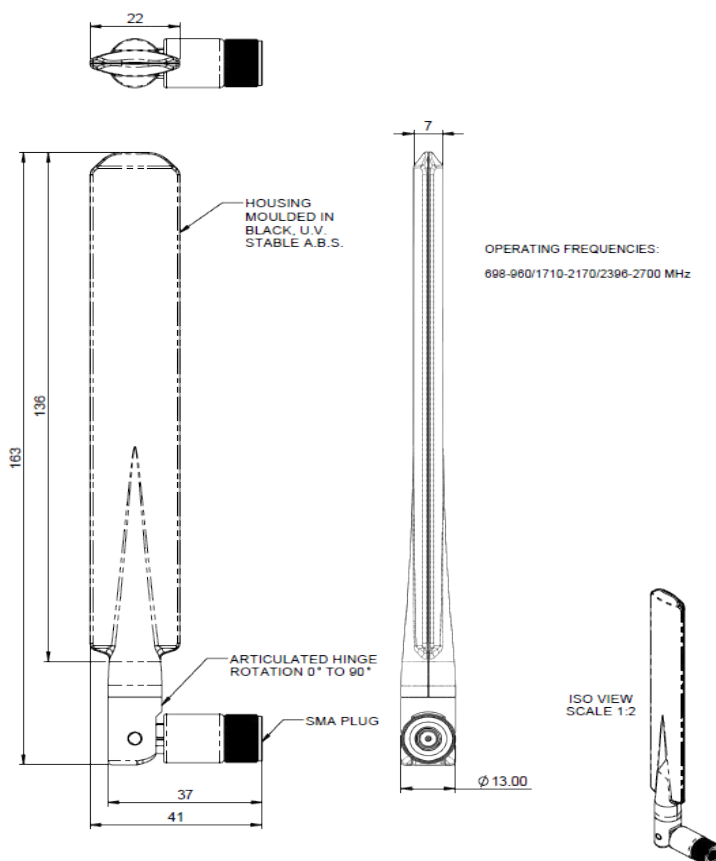
Suitable routers and terminals

Articulated SMA connector

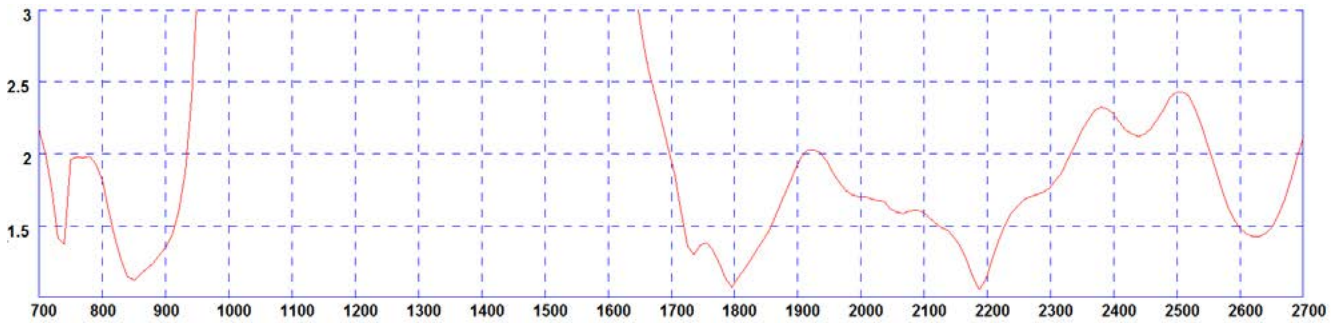
The PWB-BC3G-26-RSMAP antenna is a ground plane independent antenna covering global 2G/3G and 4G frequencies from 698-960/1710-2170 and 2396-2700MHz.

Designed for terminals and routers the PWB-BC3G-26-RSMAP offers an articulated SMA connector for flexible positioning and a sleek profile for low visual impact.

Technical Drawing

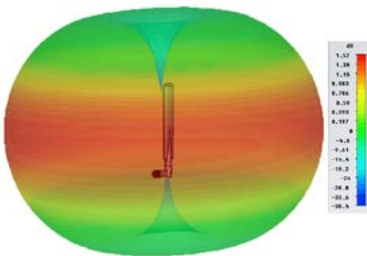


Typical VSWR*

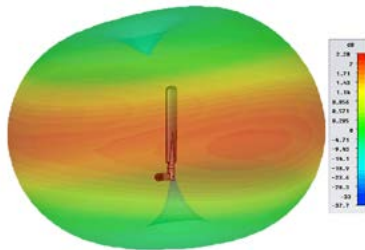


* VSWR measured in free space

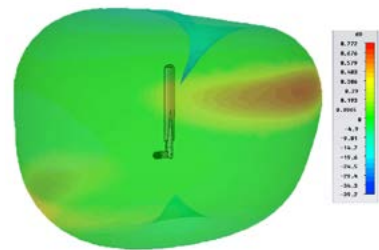
Typical 3D Plot (800MHz)



Typical 3D Plot (1800 MHz)



Typical 3D Plot (2700MHz)



Part No.		PWB-BC3G-26-RSMAP
Electrical Data		
Frequency Range (MHz)	698-960, 1710-2170, 2396-2700	
Operational Band	LTE 700, GSM850 / CDMA850, GSM900, GSM1800, PCS1900, 3G UMTS, AWS, LTE/WIMAX2600	
Typical VSWR	<2.5:1	
Peak Gain: Isotropic	2dBi	
Compared to ¼ wave	0dB	
Polarisation	Vertical	
Pattern	Omni-directional	
Impedance	50Ω	
Max Input Power (W)	10	
Mechanical Data		
Dimensions (mm)	Length	163 (6.4")
	Width	22(0.8")
	Thickness	7(0.27")
Material	ABS	
Operating Temp (°C)	-40° / 176°F (-40° / +80°C)	
Colour	Black	
Termination Data		
Type	Articulated SMA (m) connector	

Panorama Antennas Ltd
Frogmore, London, SW18 1HF, United Kingdom

T: +44 (0)20 8877 4444
F: +44 (0)20 8877 4477

E: sales@panorama-antennas.com
www.panorama-antennas.com

Waiver: The data given above is indicative of the performance of the product/s under particular conditions and does not imply a guarantee of performance. These specifications are subject to change without notice.
Copyright © Panorama Antennas Ltd. All rights reserved.

PANORAMA  ANTENNAS